

BASO

DECKING SPACER



BASO is a spacer that allows ventilation and prevents water and dirt accumulation between the decking and the substructure.

The integrated spring elements contribute to a secure connection, prevent the generation of noise and increase the comfort of walking.

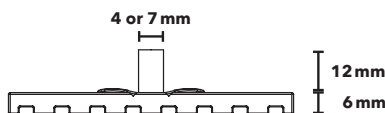
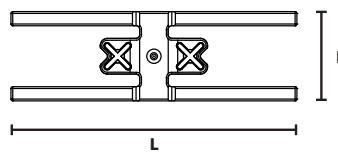
The 6 mm height extension allows screw flexibility thus absorbing the swelling and shrinking effects drastically reducing the risk of shearing.

Specially designed joint spacer guides between the decking boards allow for rapid assembly and absorb swelling movements.

The BASO distance spacer can be modified for the first and last board rows, simply cut along the marked recessed line.

OVERVIEW

Dimensions:	Length 80mm Width 25mm Height 6mm Joint spacer 4mm Joint spacer 7mm
Material:	PP Polypropylene Recycled black UV and weather resistant
Fastening type:	Distance spacer for visible screw connections



BASO		
Description	PU	Prod. No.
4mm	100 PCS	016305000
7mm	100 PCS	016405000

BRANDING
Custom branding
upon request

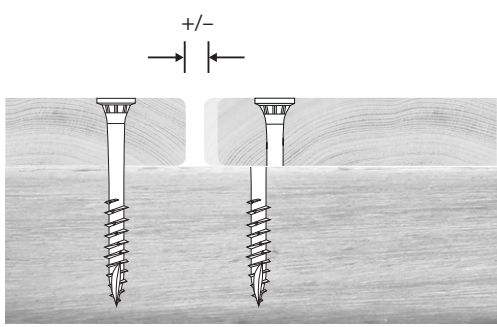
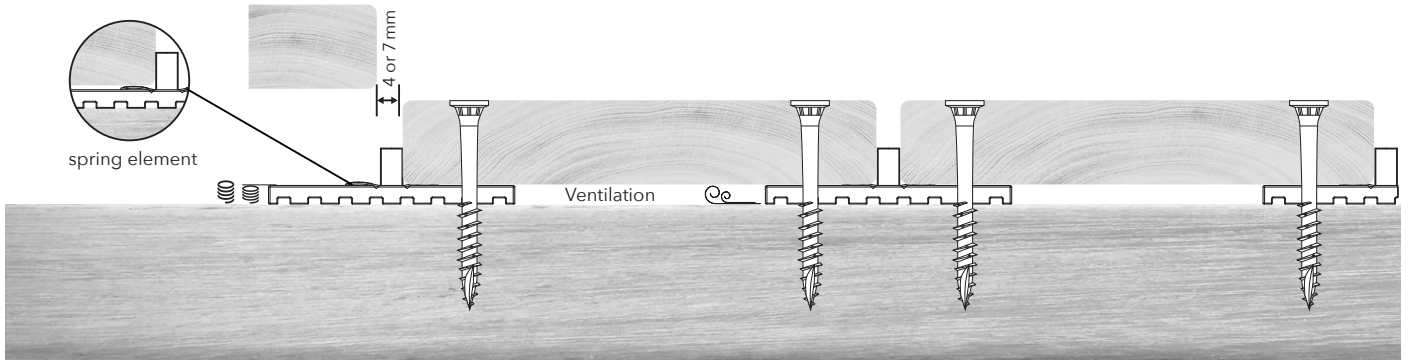
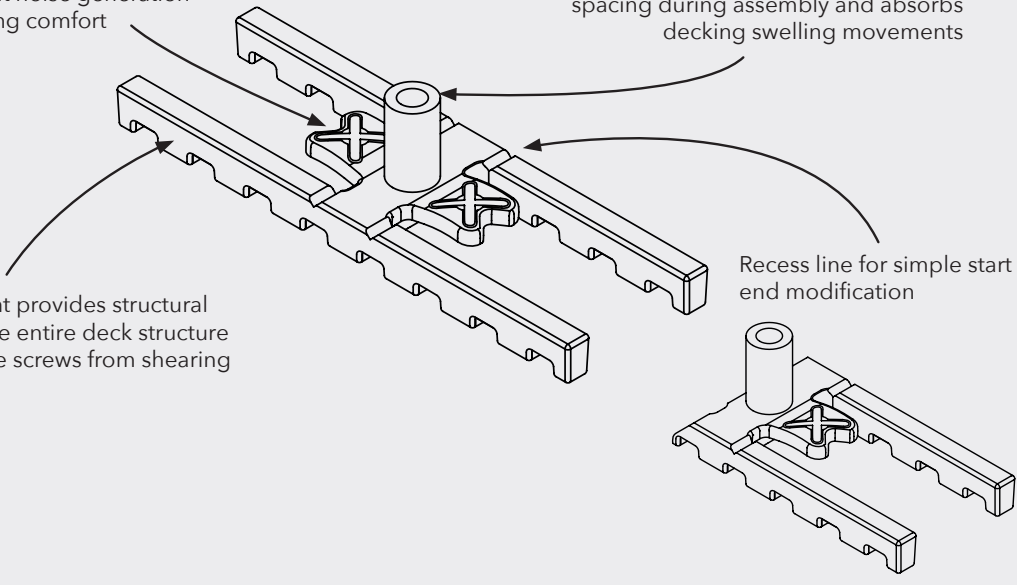


Spring elements contribute to a secure connection, prevent noise generation and increase walking comfort

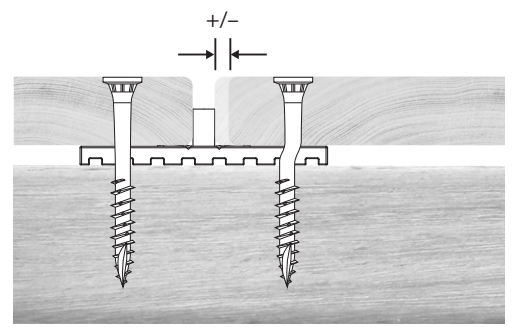
Joint distance spacer ensures uniform spacing during assembly and absorbs decking swelling movements

The 6 mm height provides structural protection to the entire deck structure and protects the screws from shearing

Recess line for simple start and end modification



Shearing without BASO ✘



BASO reduces the shear forces by 50% ✔

DOWNLOADS

	
Data sheet	Tips & Tricks