

LIGO N

DECKING CONNECTOR



LIGO N DETAILS

The **LIGO N** decking connector guarantees fast and easy installation for side grooved modified, dimensionally stable wood species or composite decking boards.

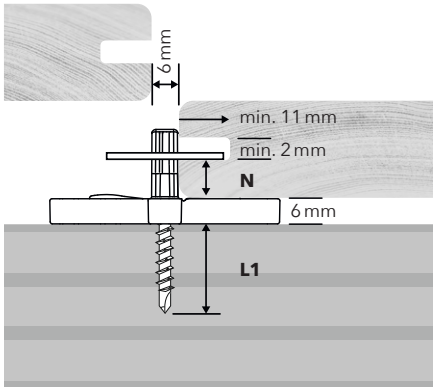
The decking board is clamped to the substructure via the lateral groove through a stainless steel mounting plate with 9.0mm groove engagement depth with only one screw connection.

The oval-shaped joint spacers ensure an even joint spacing and can compensate swelling movements up to 2.0mm per board. The joint spacers also serve as a quick-fit guide for the mounting plate, which can be adjusted automatically to the position of the groove.

The 6mm distance spacer ensures optimum ventilation and prevents the formation of water and dirt accumulation between the decking boards and substructure.

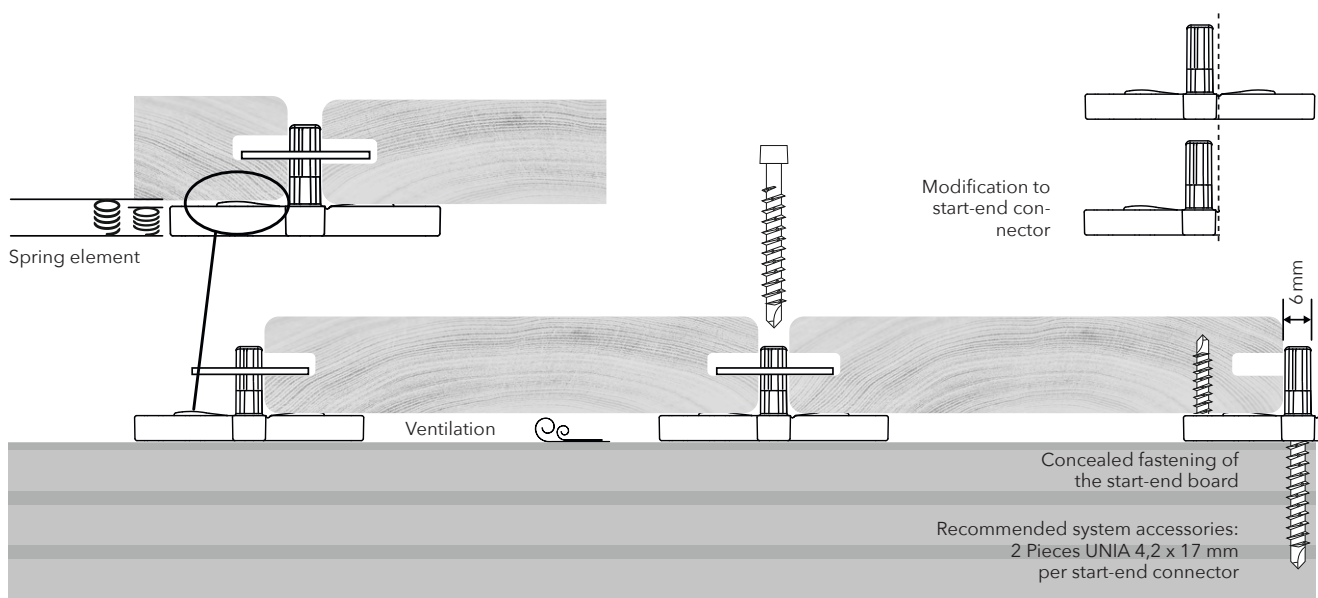
The integrated tension sprung points contribute to a secure connection preventing unwanted noise and increases walking comfort.

Recommended substructures:
 Preferably softwoods such as larch, douglas fir, thermo-pine, thermo-spruce or woods with similar densities. RELO N36 substructure rail made of aluminium.

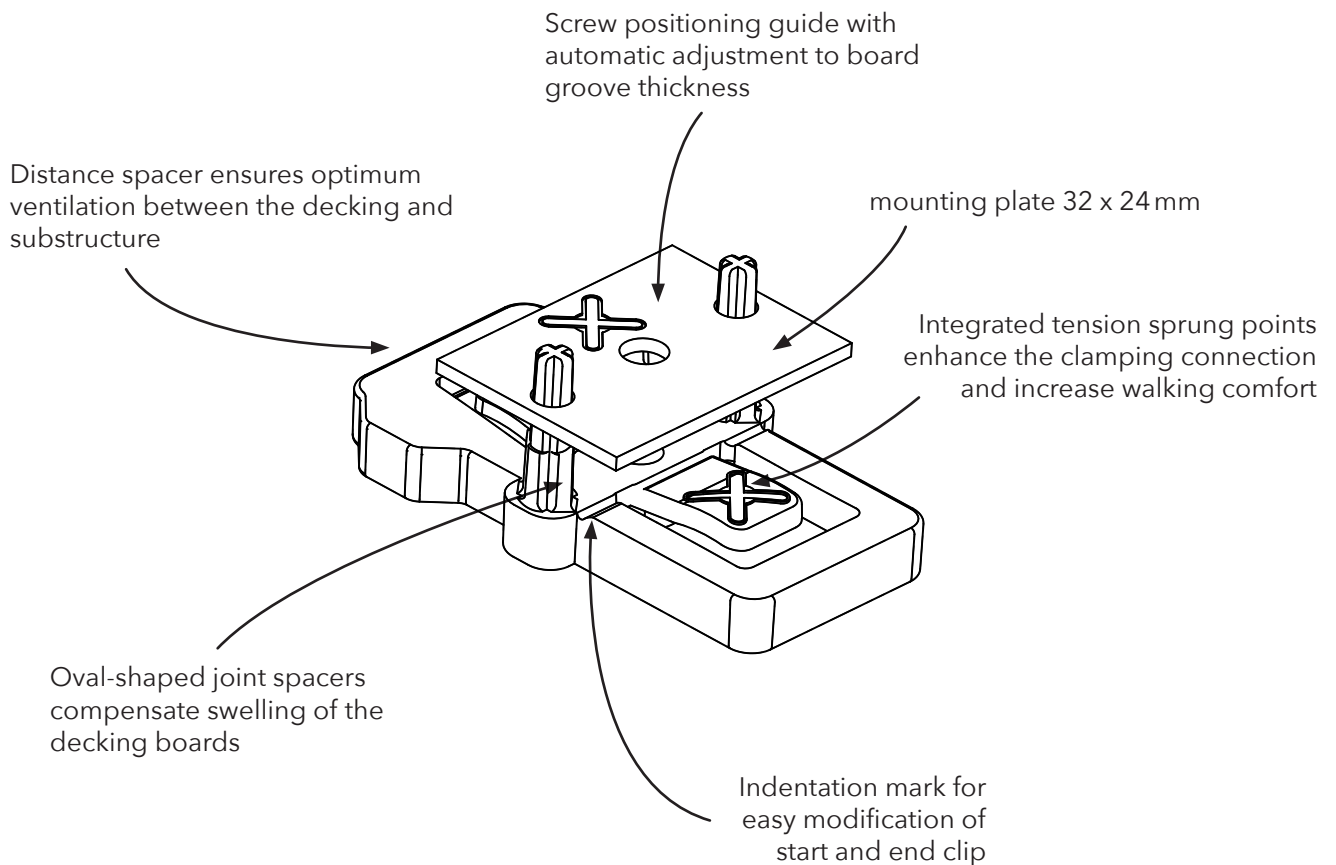


MODEL Dimensions	LIGO N34 UNIA 4,8 x 34 mm						LIGO N47 UNIA 4,8 x 47 mm						
	N [mm]	6	8	9	10	11	12	6	8	9	10	11	12
L1 [mm]		20,5	18,5	17,5	16,5	15,5	14,5	33,5	31,5	30,5	29,5	28,5	27,5
RELO N		■	■	■	■	■	■						
WOODEN sub.								■	■	■	■	■	■

- Compatible substructures
 RELO N36 aluminium system rail with integrated screw channel
 Wooden substructures made of softwoods such as larch, douglas fir, thermo spruce, thermo pine, ...

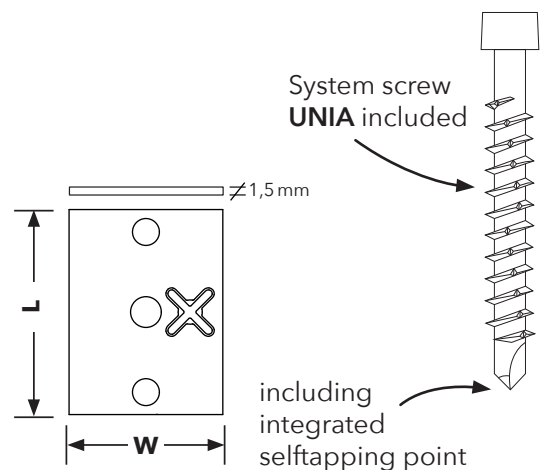


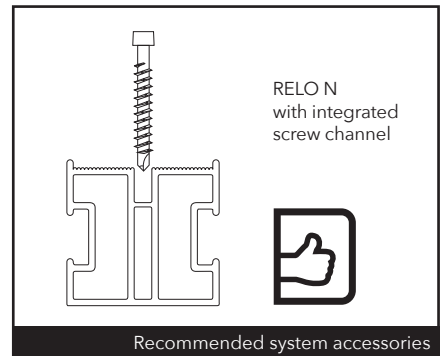
LIGO N HIGHLIGHTS



OVERVIEW

Fixing:	concealed system
Fixing type:	sliding point - sliding point
Space distance:	6,0 mm
Decking board:	For modified and dimensionally stable wood species or composite boards with lateral side grooves
Dim. Groove plate:	L 32 mm W 24 mm
Material Groove plate:	stainless steel with black Surface coating
Material distance spacer:	ABS plastic black
Board replacement:	possible
UNIA drilling capacity:	ca. 3 mm thick Aluminium
Special feature:	easy modification to the starter and end clip





Recommended system accessories

FEATURES

Instructions	Data sheet	Tips & Tricks	Video	SET Pack	Groove profile	Display stand	Branding	Stainless steel

Product No.	Description 1	Description 2	Packing Unit	EAN-13 Code	Weight per PU	Customs tariff no.
013905003	LIGO N34 decking connector	stainless steel black	PU 80 PCS	9009941012234	1,480 kg	7326 90 98
013912003	LIGO N34 decking connector	stainless steel black	PU 400 PCS	9009941012241	7,160 kg	7326 90 98

Included in every package are the required UNIA1 system screws 4,8 x 34 mm and instructions

Product No.	Description 1	Description 2	Packing Unit	EAN-13 Code	Weight per PU	Customs tariff no.
013905000	LIGO N47 decking connector	stainless steel black	PU 80 PCS	9009941011855	1,700 kg	7326 90 98
013912000	LIGO N47 decking connector	stainless steel black	PU 400 PCS	9009941011848	7,540 kg	7326 90 98

Included in every package are the required UNIA1 system screws 4,8 x 47 mm and instructions

Product No.	Description 1	Description 2	Packing Unit	EAN-13 Code	Weight per PU	Customs tariff no.
012605000	BASO spacer	joint distance 6 mm	PU 100 PCS	9009941011084	0,830 kg	3926 90 97