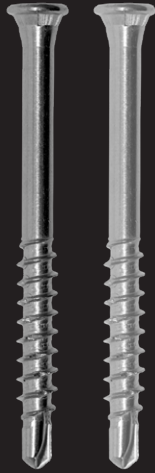


PROFILA

METAL PROFILE
SELF-TAPPING SCREW



PROFILA PROFILA self-tapping screws are suitable for fixing wood or wood-like materials to aluminium or steel substructures.

The special design of the self-tapping point, combined with the thread, provides a perfect hold without pre-drilling the metal profiles.

To ensure that the PROFILA screw can rotate freely in the board to be joined and reach the required speed (similar to a metal drill), the board should be pre-drilled with a 5.5 mm diameter hole.

The geometry of the countersunk screw head has 3 steps which permit a perfect precise flush finish.

PROFILA2 Metal self-tapping Screws are ideal for visible fixing of decking boards to aluminium substructures. The resilient A2 austenitic stainless-steel screws can absorb natural swelling and shrinking movements of the decking boards.

€ according to DIN EN 14592-2008

PROFILA1 Self-tapping screws are used for screw connections to steel profiles. The high-breaking torque version in hardened stainless steel can drill through steel profiles up to a wall thickness of 2.5 mm.

BRANDING
Custom branding
upon request

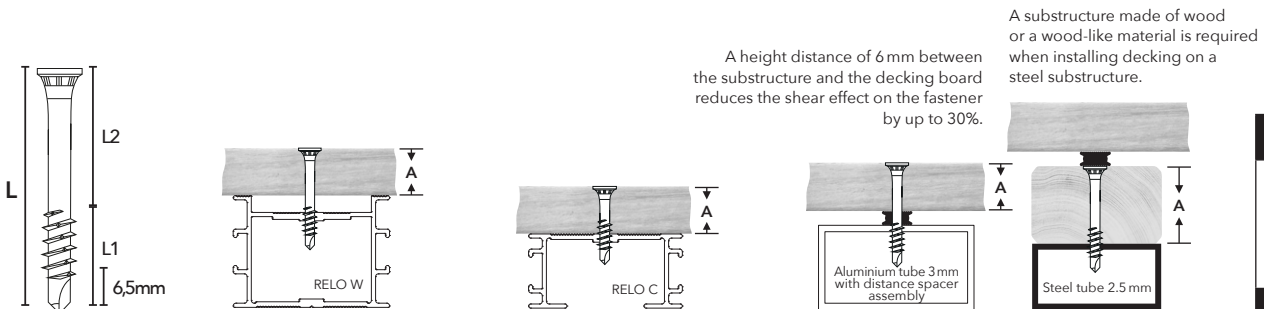
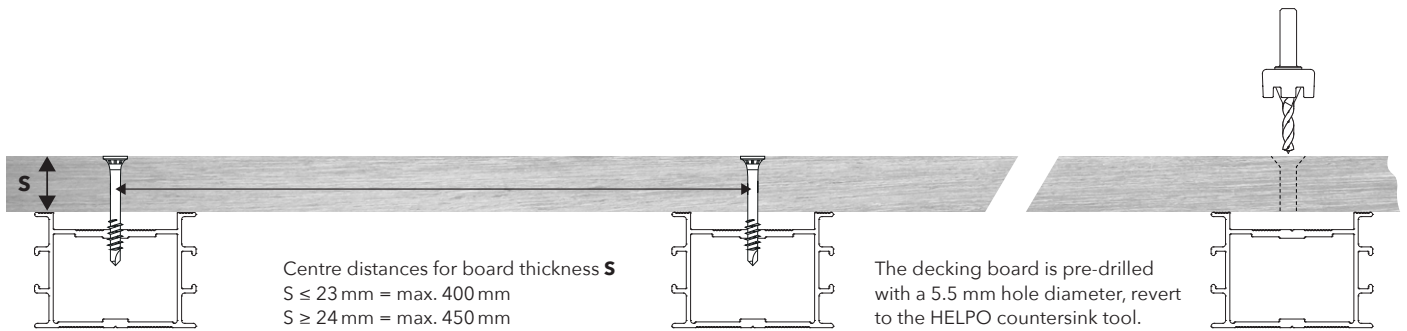
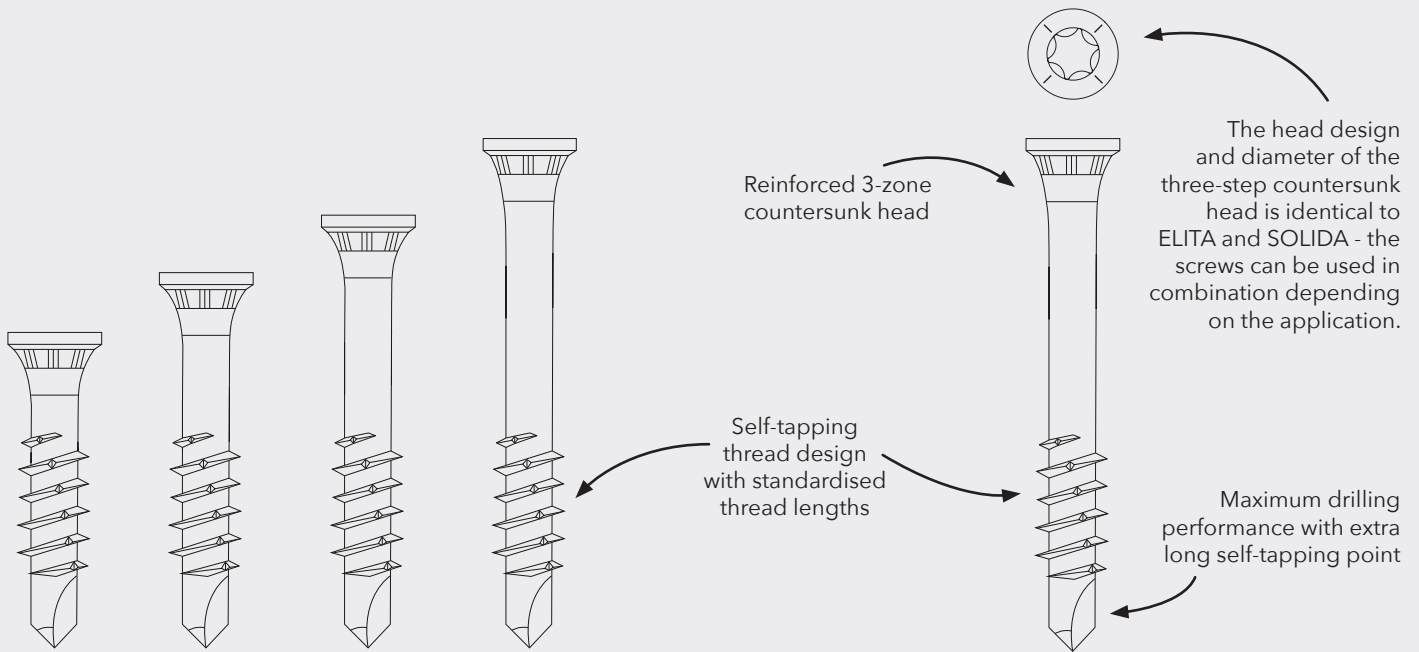


PROFILA1		
Description	PU	Prod. No.
5,5x35 mm	100 PCS	004302000
5,5x35 mm	200 PCS	004303000
5,5x40 mm	100 PCS	004402000
5,5x40 mm	200 PCS	004403000
5,5x45 mm	100 PCS	004502000
5,5x45 mm	200 PCS	004503000
5,5x50 mm	100 PCS	004602000

Description	PU	Prod. No.
5,5x50 mm	200 PCS	004603000
5,5x55 mm	100 PCS	004702000
5,5x55 mm	200 PCS	004703000
5,5x60 mm	100 PCS	004802000
5,5x60 mm	200 PCS	004803000
5,5x65 mm	100 PCS	004902000
5,5x65 mm	200 PCS	004903000

PROFILA2		
Description	PU	Prod. No.
5,5x35 mm	100 PCS	019020000
5,5x35 mm	200 PCS	019030000
5,5x40 mm	100 PCS	019102000
5,5x40 mm	200 PCS	019103000
5,5x45 mm	100 PCS	019202000
5,5x45 mm	200 PCS	019203000
5,5x50 mm	100 PCS	019302000

Description	PU	Prod. No.
5,5x50 mm	200 PCS	019303000
5,5x55 mm	100 PCS	019402000
5,5x55 mm	200 PCS	019403000
5,5x60 mm	100 PCS	019502000
5,5x60 mm	200 PCS	019503000
5,5x65 mm	100 PCS	019602000
5,5x65 mm	200 PCS	019603000



OVERVIEW			PROFILA2				PROFILA1
Dimensions mm			RELO W Sub-structure	RELO C Sub-structure	RELO C with 6 mm distance	Aluminium tube with 6 mm distance	Steel sectional tube
L	L1	L2	A = Element to be connected				A
35	30	5	4-18	10-24	4-18	4-18	5-24
40	30	10	9-23	15-29	9-23	9-23	10-29
45	30	15	14-28	20-34	14-28	14-28	15-34
50	30	20	19-33	25-39	19-33	19-33	20-39
55	30	25	24-38	30-44	24-38	24-38	25-44
60	30	30	29-43	35-49	29-43	29-43	30-49
65	30	35	34-48	40-54	34-48	34-48	35-54
Screw head diameter			7,5				7,5
TX Drive			TX25				TX25
Material			Stainless steel A2 1.4567 CE				Hardened stainless steel 1.4006
Drilling capacity			Aluminium up to 3.5 mm thick				Steel up to 2.5 mm

DOWNLOADS

Installation

Data Sheet

CE

Tips & Tricks