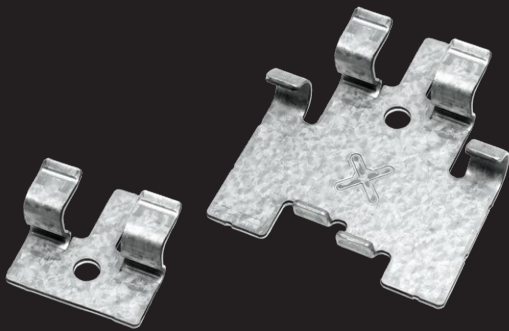


TIGA

FACADE CONNECTOR



The **TIGA** Facade Connector ensures simple, fast, and secure installation of open cladding profiles made of wood or wood-like materials.

This concealed clip-in connection protects the façade surface from the effects of the weather and provides perfect structural protection.

The installation and positioning guide makes it easy to position the cladding profile and automatically sets the distance between the joints.

The fixing system features a sliding and fixed-point installation, providing optimum controlled compensation for natural swelling and shrinking.

OVERVIEW	
Material:	TIGA: Aluminium-zinc coated sheet metal TIGA2: Stainless steel A2 1.4301 System screw UNIA: Hardened stainless steel
Fire rating:	Assured by metal connectors
Fastening type:	Concealed sliding and fixed point fixing
Façade profile:	Specific TIGA profile

TIGA		
Description	PU	Prod. No.
Alu Zinc	100 PCS	005804002
Alu Zinc	800 PCS	005812000
Starter Piece	50 PCS	006202002

TIGA2		
Description	PU	Prod. No.
Stainless steel	100 PCS	006004000
Stainless steel	800 PCS	006012000
Starter Piece	50 PCS	006302000



SET-PACK

Each package contains the UNIA1 4.2 x 28 mm system screws required for installation and assembly instructions

BRANDING
Custom branding upon request



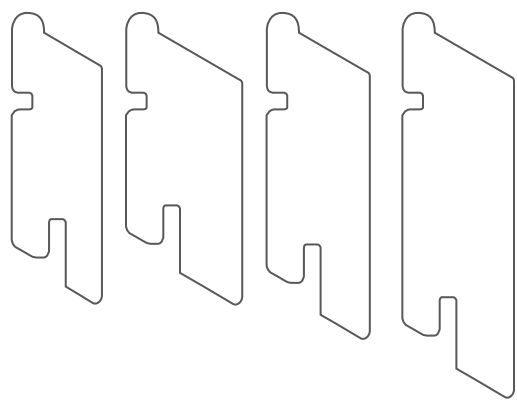
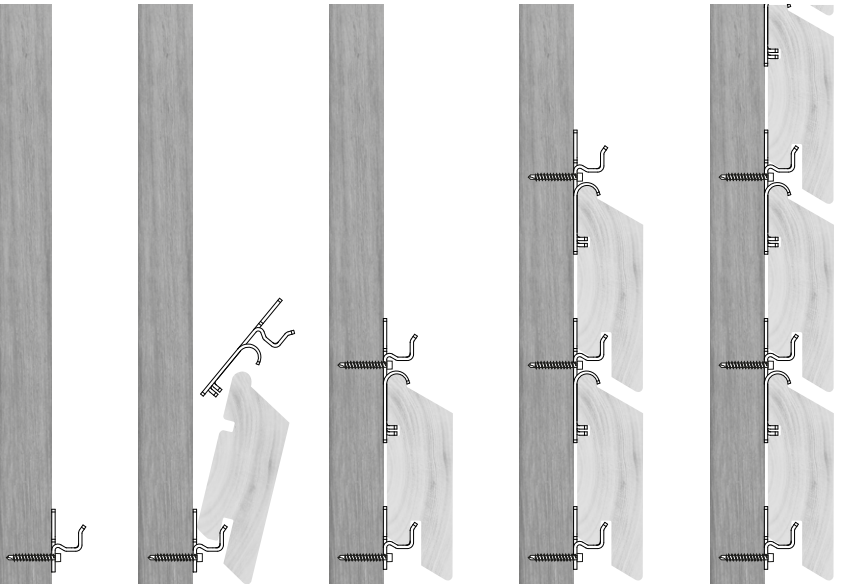
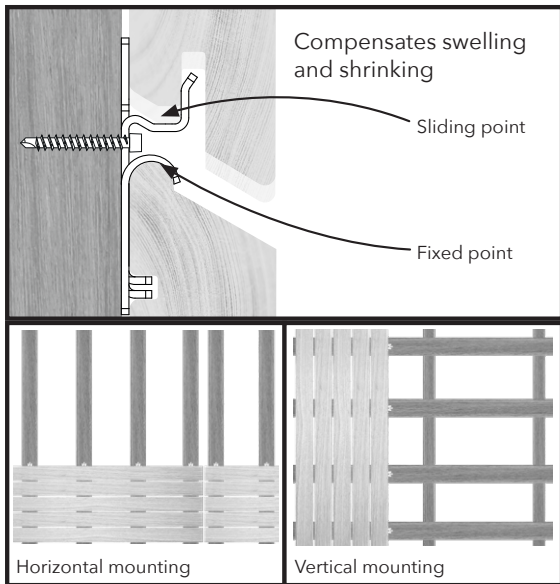
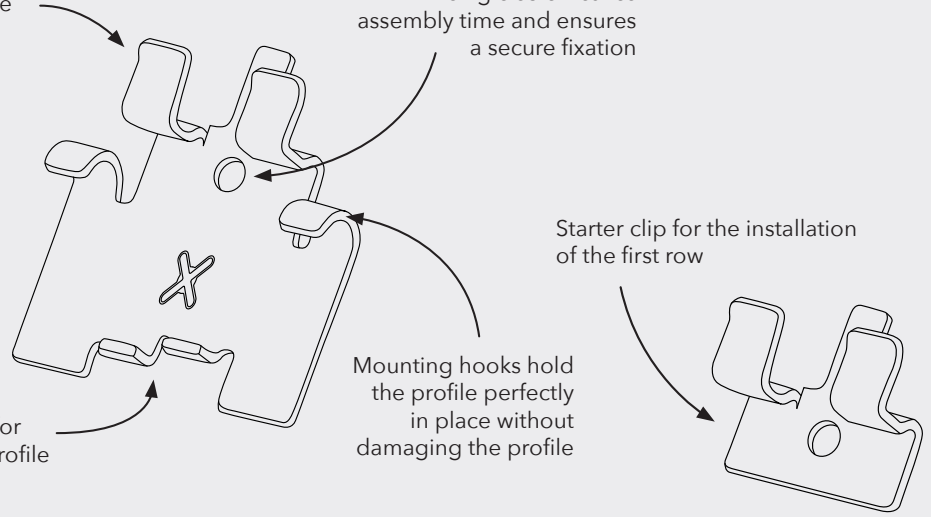
Easy positioning of the cladding profile with integrated mounting and positioning guide

A single screw saves assembly time and ensures a secure fixation

Starter clip for the installation of the first row

Click-in mechanism for intuitive, screwless profile attachment

Mounting hooks hold the profile perfectly in place without damaging the profile



Maximum flexibility in the design selection.

TIGA cladding profiles can be produced in a wide range of dimensions, wood species and surface finishes.

Local building regulations must be followed.

DOWNLOADS

Installation	Board exchange	Data sheet	Tips & Tricks	Video