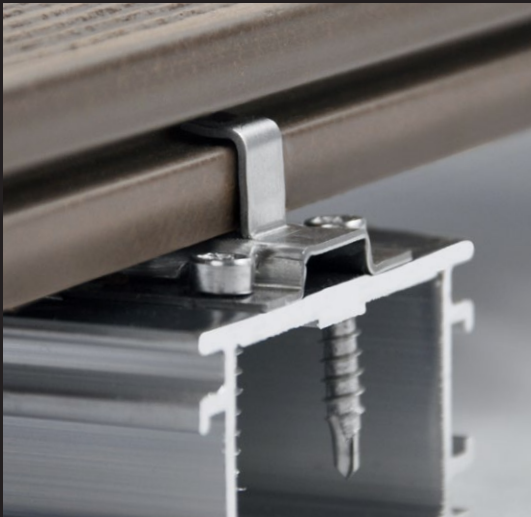
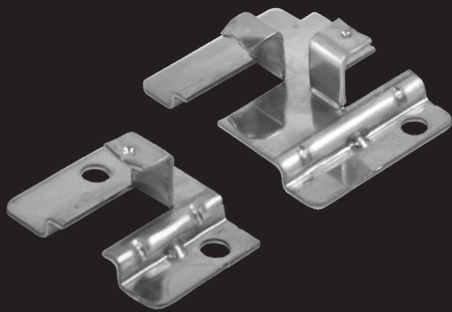


ZONA

WPC DECKING CONNECTOR



The **ZONA** stainless steel decking connector ensures the installation process is quick, easy, and straightforward.

Two parallel mounting zones ensure a trouble-free decking connection, provide an additional level of ventilation, prevent protruding screw heads and allow mounting to metal substructures.

The engagement arms for securing the board into position are pre-tensioned and tolerate any production-related irregularities of the board profile. Weather-related dimensional changes (shrinkage and swelling) are also compensated for.

The decking connector ZONA is a customized product for our manufacturing customers and is produced to order, starting from a production quantity of 0.5 million units.

OVERVIEW	
Dimensions:	Length 30 mm Width 42 mm Height 4.6 mm Start-End-Connector: Length 22 mm Width 31 mm Height 4.6 mm
Material:	A2 Stainless steel System screw UNIA Hardened stainless steel
Fastening type:	Concealed Sliding point fixation
Decking profile:	For side grooved composite decking boards

ZONA		
Description	PU	Prod. No.
WPC-Connector	100 PCS	013604002
Start-Endclip	50 PCS	013702002



SET-PACK
Each packaging contains the screws required for installation, UNIA system screws 4.2x28 mm and assembly instructions



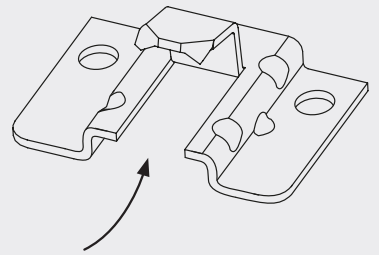
BRANDING
Custom branding upon request

Board receiving plate allows easy insertion of decking boards

Mounting plate for the substructure permits a secure screw connection

Customizable groove engagement holding arms

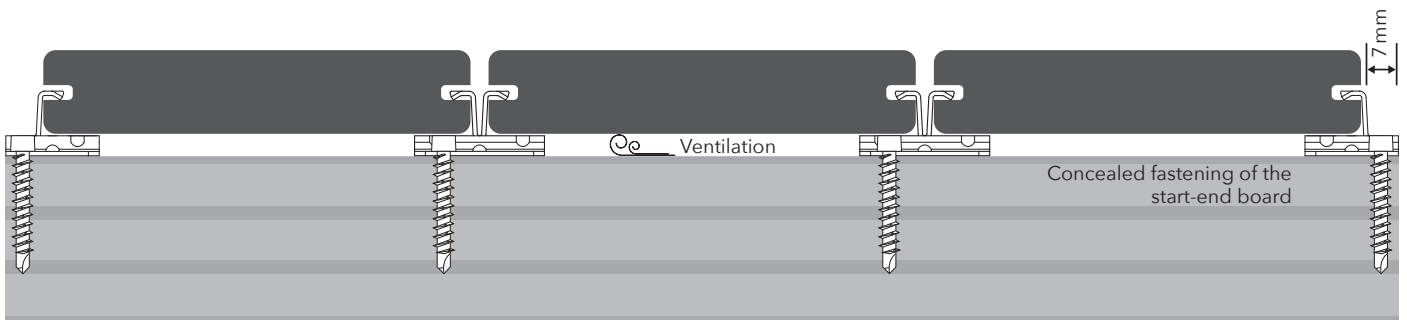
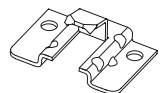
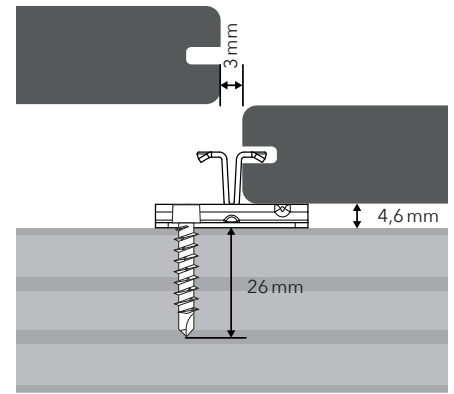
Integrated ventilation base plate for structural protection



Compatible start and end connectors



ZONA can be adapted to suit a wide range of profile dimensions



DOWNLOADS



Data sheet



Tips & Tricks